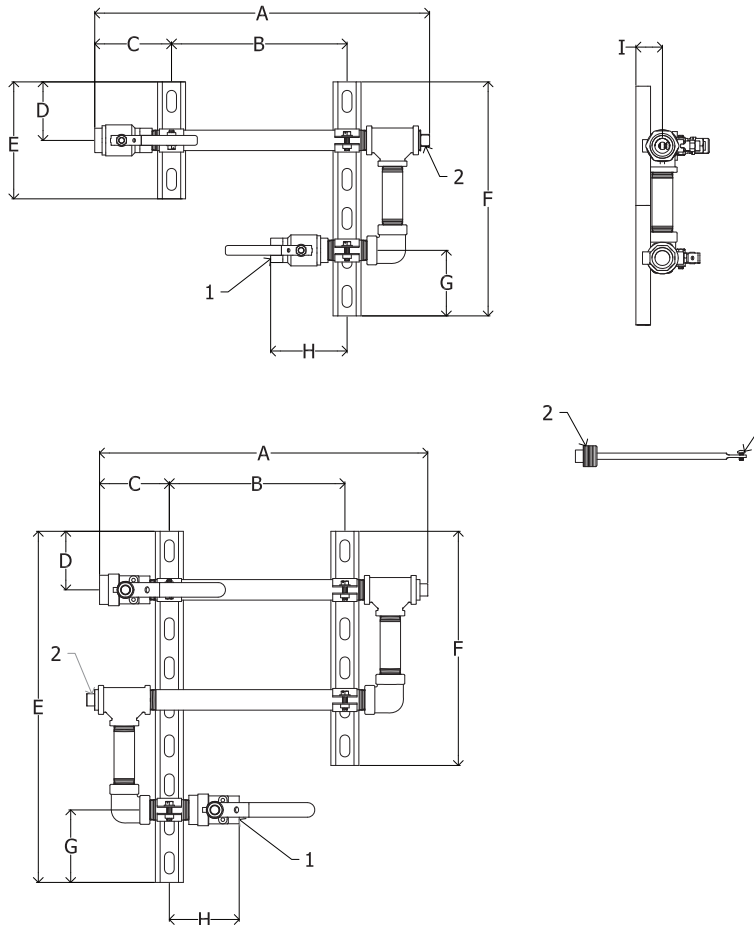


# J.L. WINGERT CO.

## Specification Sheet CORROSION COUPON RACKS MODELS CSCR-[ ]-007 AND SSCR-[ ]-007

SS163002.C 11/15



### SPECIFICATIONS

Carbon steel and stainless steel corrosion coupon racks are constructed from Sch 40 pipe with teflon ball valve seats. CSCR and SSCR corrosion coupon racks are secured with two 7/8" Unistrut mounting tracks. All connections are FNPT.

### REPLACEMENT PARTS

KEY	PART	DESCRIPTION
1	1625-007-BR	3/4" Brass full port ball valve
	1625-007-SS	3/4" 316SS full port ball valve
2	1630-04	3/4" Carbon steel corrosion coupon holder with stainless screw
	1630-05	3/4" 316SS corrosion coupon holder with stainless screw
3	1630-06	10-32 x 3/8 Stainless steel screw

### TEMPERATURES & PRESSURES\*

TEMPERATURES (°F / °C)	NON-SHOCK PRESSURE RATING			
	Carbon Steel (CS)		316 Stainless Steel (SS)	
	PSI	BAR	PSI	BAR
73° / 23°	300.0	20.6	300.0	20.6
90° / 32°	300.0	20.6	300.0	20.6
110° / 43°	300.0	20.6	300.0	20.6
130° / 54°	300.0	20.6	300.0	20.6
150° / 66°	300.0	20.6	300.0	20.6
200° / 93°	265.0	18.2	265.0	18.2
250° / 121°	185.0	12.7	185.0	12.7

\*Please see appropriate Option Specification Sheet for option variance in pressure and temperature rating.

### DIMENSIONS

KEY	MODEL NUMBER											
	CSCR-1-007	SSCR-1-007	CSCR-2-007	SSCR-2-007	CSCR-3-007	SSCR-3-007	CSCR-4-007	SSCR-4-007	CSCR-5-007	SSCR-5-007	CSCR-6-007	SSCR-6-007
A	17 3/16"	16 13/16"	17 3/16"	16 13/16"	17 3/16"	16 13/16"	17 3/16"	16 13/16"	17 3/16"	16 13/16"	17 3/16"	16 13/16"
B	9"	9"	9"	9"	9"	9"	9"	9"	9"	9"	9"	9"
C	3 15/16"	3 9/16"	3 15/16"	3 9/16"	3 15/16"	3 9/16"	3 15/16"	3 9/16"	3 15/16"	3 9/16"	3 15/16"	3 9/16"
D	3"	3"	3"	3"	3"	3"	3"	3"	3"	3"	3"	3"
E	6"	6"	18"	18"	18"	18"	30"	30"	30"	30"	40"	40"
F	12"	12"	12"	12"	24"	24"	24"	24"	36"	36"	34"	34"
G	3 3/8"	3 3/8"	3 3/4"	3 3/4"	4"	4"	4 7/16"	4 7/16"	4 3/4"	4 3/4"	3 3/16"	3 3/16"
H	3 15/16"	3 9/16"	3 15/16"	3 9/16"	3 15/16"	3 9/16"	3 15/16"	3 9/16"	3 15/16"	3 9/16"	3 15/16"	3 9/16"
I	1 3/8"	1 3/8"	1 3/8"	1 3/8"	1 3/8"	1 3/8"	1 3/8"	1 3/8"	1 3/8"	1 3/8"	1 3/8"	1 3/8"

Note: All dimensions are +/- 1/8". All dimensions are subject to change without notice.

MANUFACTURING: Mixers, Bypass Feeders, Filter Feeders, Bromine Feeders, Sample Coolers, Sludge Traps, Separators, Separator Systems, Tank Stands, Tank Package Systems, Glycol Feed Systems, Coupon Racks, Control Stations, NEMA Enclosures, Custom Packaged Systems and Specialty Welding

P.O. Box 6207 | Garden Grove, CA 92846-6207 / 11800 Monarch St. | Garden Grove, CA 92841-2113 | Phone (714) 379-5519 | Fax (714) 379-5549  
Northern California Region | Phone (510) 487-5310 | Southwest Region | Phone (602) 470-1015 | Email: customerservice@jwingert.com

[www.jlwingert.com](http://www.jlwingert.com)